

# CORRPRO<sup>®</sup> EH AIR-COOLED RECTIFIER

*Cathodic protection rectifier*

## Description

The Corrpro<sup>®</sup> EH Air-Cooled Rectifier combines top quality components and manufacturing methods with the best features, resulting in an industry leader for cathodic protection rectifiers. Incoming AC power is stepped down, isolated and rectified to a controlled DC output. Input overload and short circuit protection is provided by magnetic-trip circuit breakers; output protection by means of semiconductor fuses in the transformer secondary. Primary AC/DC lightning protection is provided by metal oxide varistor (MOV) arrestors. Output control using 25-steps of tap adjustment, gives ample control to output settings. Conservatively rated full-wave diode bridge assemblies coupled to a high performance transformer combine to yield an efficient and reliable rectifier for all cathodic protection installations.

## Features

- Industry-leading quality
- Industry-leading delivery
- Industry-leading pricing
- Slide out frame with easy access for field servicing
- Full-wave silicon controlled rectification
- AC input surge protection
- DC output surge protection
- Secondary AC surge protection
- Separate continuously reading DC meters (large 3.5" – easy to read)
- All electrical connections - brass/copper hardware finished in nickel plating for superior corrosion prevention
- Wall or pole mounting (with optional floor stands)
- One year warranty, from date of purchase against defective components, and faulty workmanship
- Full complement of options to tailor the rectifier to the specific installation requirements
- 3-door enclosure available in hot-dipped galvanized or powder-coated white finish

### STANDARD OPTIONS:

#### Description

115/230VAC input
AC/DC lightning protection
Galvanized or powder-coated white enclosure
Separate continuously reading DC meters
25 steps of transformer adjustment



## Specifications

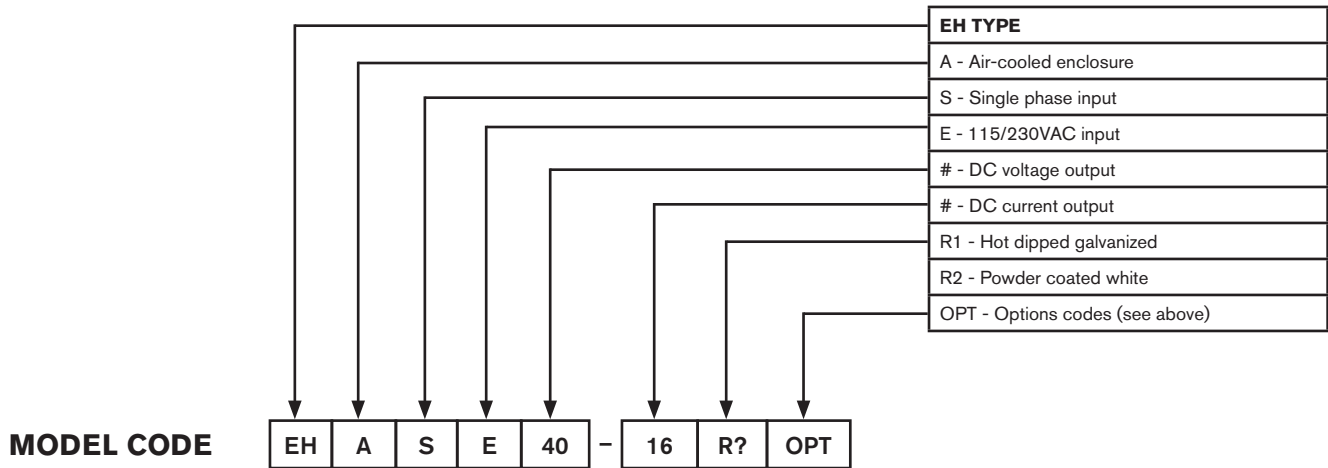
- Single phase input: 115/230V
- Secondary AC circuit protection
- Output voltage 12 to 60 volts DC
- Output current 8 to 42 amperes DC
- Cooling by natural air convection
- Three door cabinet rated Type 3R
- Stainless steel hardware for all mechanical connections
- CNC cut, fully engraved front panel and lamacoid labels
- Standard 25-steps of tap adjustment
- Operating ambient: -40°C to +45°C [-40°F to 113°F]
- Class H (180°C rating) transformer design
- Engineered weld-free enclosure (eliminates corrosion hot spots)

### ADDITIONAL OPTIONS:

Code	Description
E	10" floorstands
I	DC failure warning light
S	GFI outlet
V	High energy lightning arrestor (AC=1000 joules, DC=500 joules)
Z	Dead front panel (lexan barrier)
Z	Other options

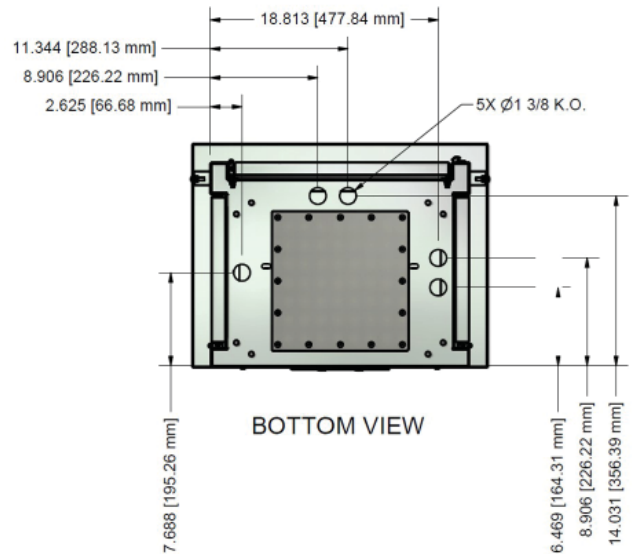
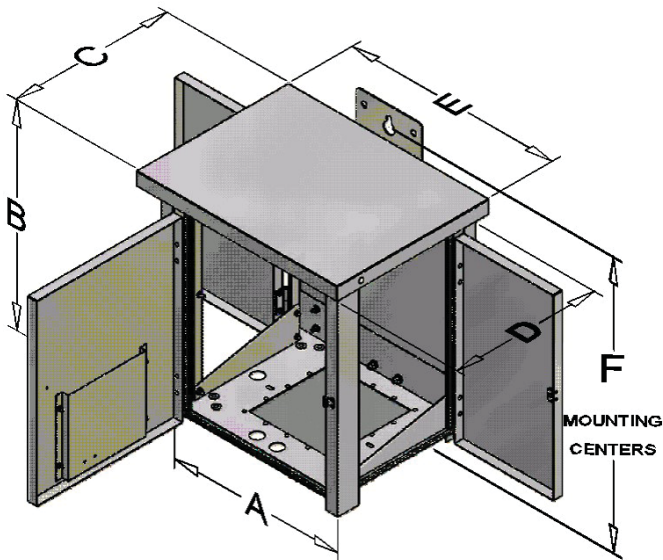
# CORRPRO® EH AIR-COOLED RECTIFIER

## Ordering Guide



\* HOT DIPPED GALVANIZED OR POWDER COATED FINISH MUST BE STATED AT TIME OF ORDER (SAME PRICE).

## Enclosure Dimensions



CASE SIZE	DIMENSIONS (INCHES)					
	A	B	C	D	E	F
A2CS	21.44	25.81	18.50	16.87	24.41	29.01



an AEGION® company

866.CORRPRO    United States  
 800.661.8390    Canada  
 44.1642.614106    Europe  
 966.3.802.7009    Middle East

[www.corrpro.com](http://www.corrpro.com)

An ISO 9001:2008 Certified Company (U.S.)